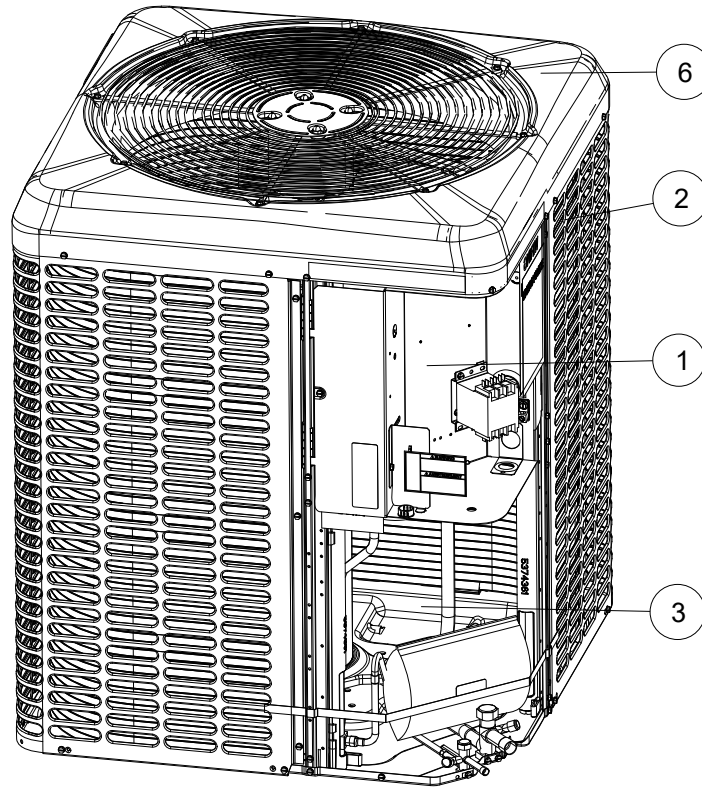


TCD2B36S31S - RES SPLT AC 13S 3.0T R410A 3PH 230V

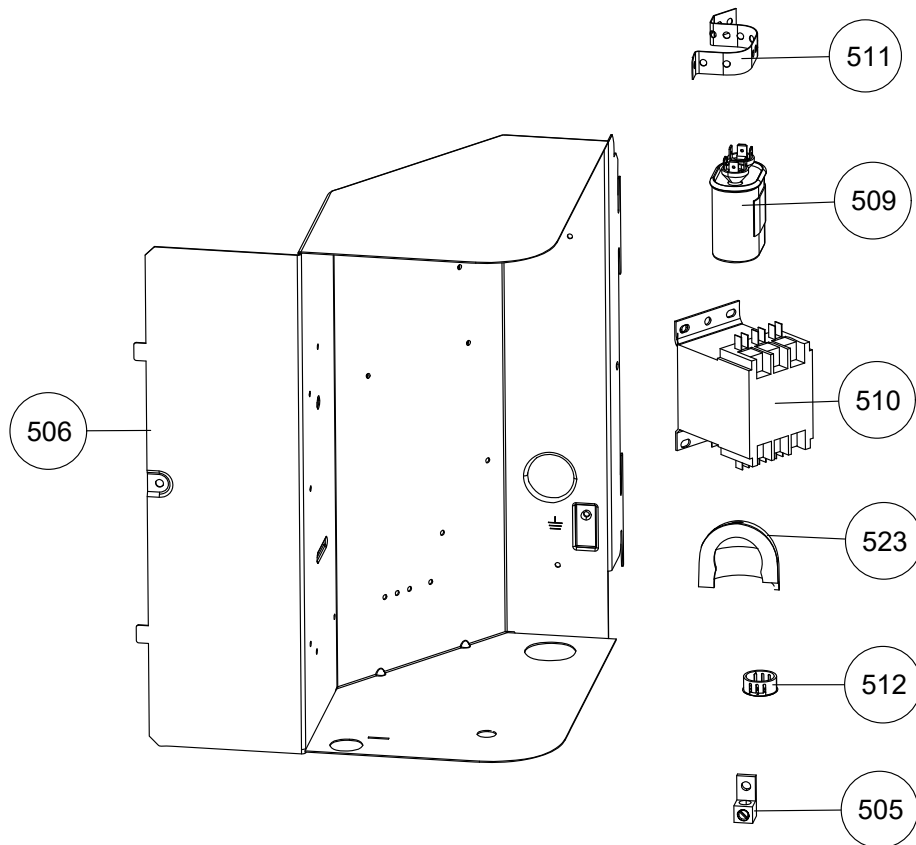
## REPAIR PARTS LIST

PRINTED DATE: 7/10/2024 for Model Number: TCD2B36S31S, Produced: 2/16/2024

The information provided to you may include Johnson Controls' trade secrets, intellectual property, and confidential business information (including its Bill of Materials), and this information is to be kept in the strictest confidence and not to be disclosed to any third party without the prior written consent of Johnson Controls.

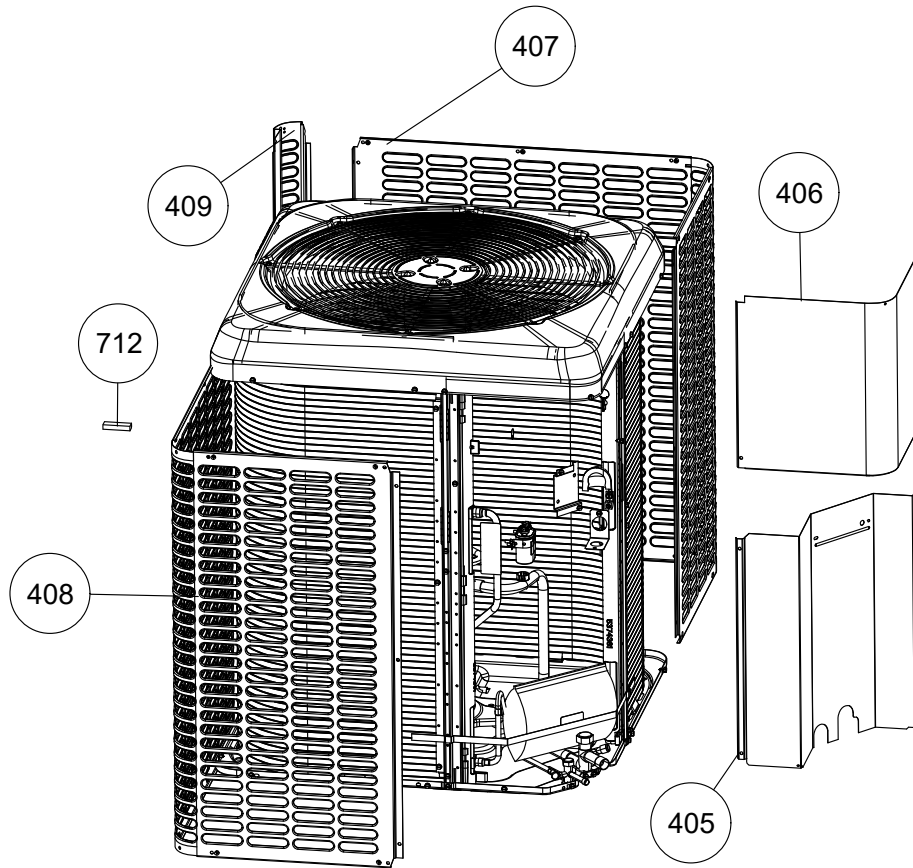


Section	Description
1	ELECTRICAL BOX / CONTROLS
2	SHEET METAL / CABINET PARTS
3	REFRIGERATION SYSTEM
6	ROOF ASSEM / OUTDOOR FAN AND MOTOR PARTS
8	MISCELLANEOUS
9	WIRING DIAGRAMS / VFD PARAMETERS
10	HARNESSES


**Section : ELECTRICAL BOX / CONTROLS**

Section	Callout	Replacement Part #	Description	Original Part #	TCD2B36S31S
1	505	S1-02521798000	LUG,GROUND,ELECTRICAL ALUMINUM 1.06 X .5	S1-02521798000	1
1	506	S1-07339486001	CONTROL BOX,LARGE	S1-07339486001	1
1	509	S1-02420062700	CAP,RUN SINGLE,5MFD,440V,FLAT	S1-02420062700	1
1	510	S1-02425842700	CNTCTR 3PNO,30A,24V	S1-02425842700	1
1	523	S1-02817106000	GASKET,RAIN HOOD,PLASTIC	S1-02817106000	1

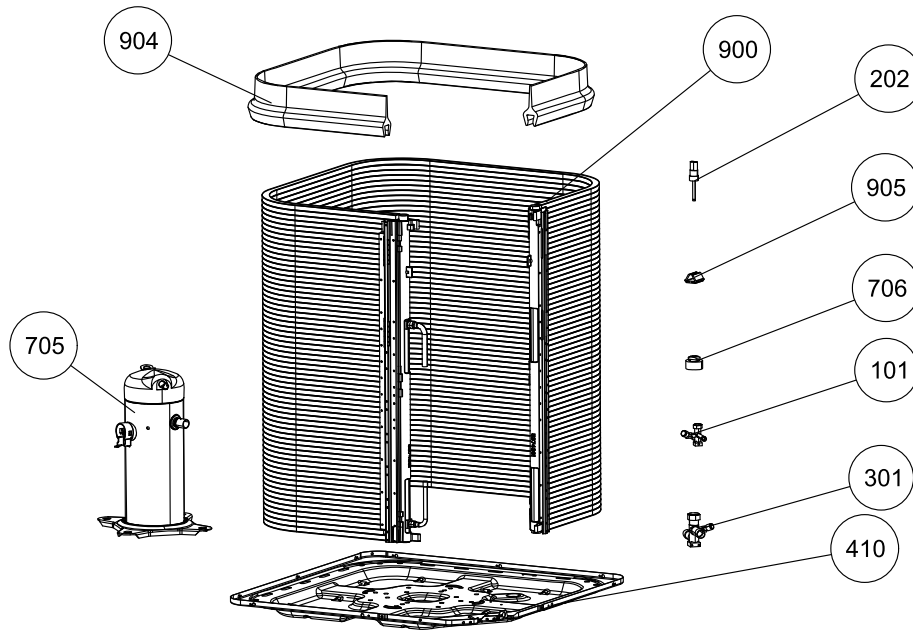
Suggested stocking items are shown with shaded item number.



**Section : SHEET METAL / CABINET PARTS**

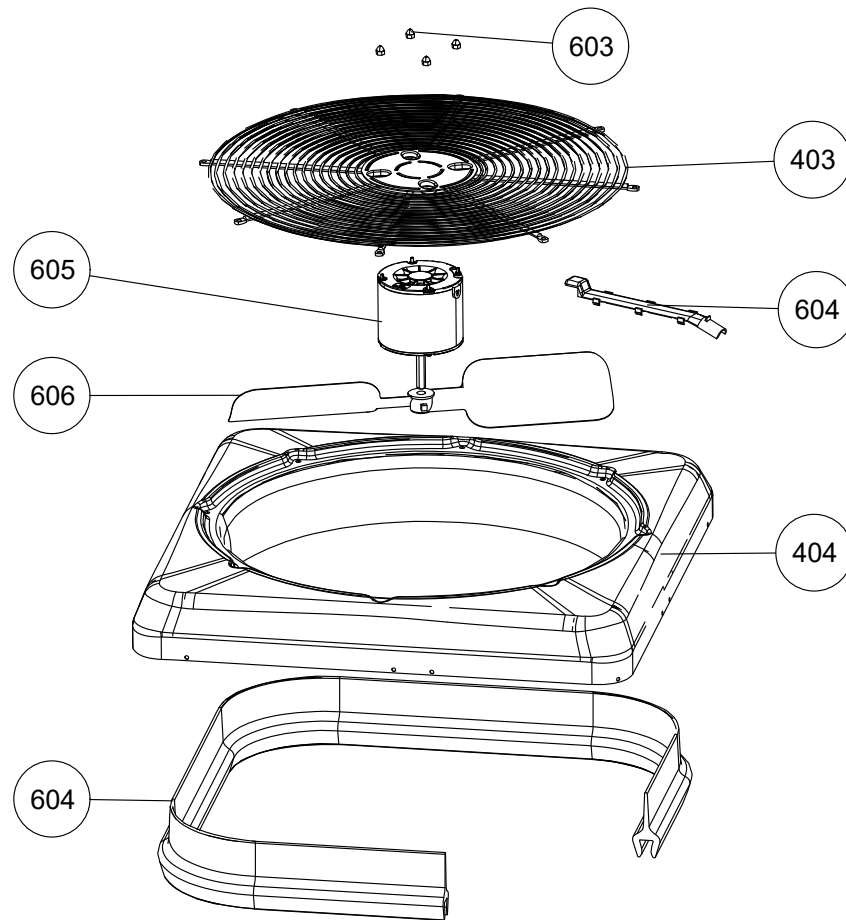
Section	Callout	Replacement Part #	Description	Original Part #	TCD2B36S31S
2	405	S1-07339399009	PANEL,BLOCK-OFF,LG,26 INCH,CHAMPAGNE	S1-07339399009	1
2	406	S1-07339400004	COVER,CONTROL BOX,LG,CHAMPAGNE	S1-07339400004	1
2	407	S1-07339398003	PNL,COIL GUARD,B-BASE,26 INCH,CHAMPAGNE	S1-07339398003	2
2	409	S1-07339452001	CORNER POST,26 INCH,CHAMPAGNE	S1-07339452001	1

Suggested stocking items are shown with shaded item number.


**Section : REFRIGERATION SYSTEM**

Section	Callout	Replacement Part #	Description	Original Part #	TCD2B36S31S
3	101	S1-02322459000	VALVE,BASE,3/8 INCH	S1-02322459000	1
3	101	S1-02322460000	VALVE,BASE,3/4 INCH	S1-02322460000	1
3	202	S1-02546848000	SWITCH,PRESSURE,HIGH	S1-02546848000	1
3	410	S1-07348980001	BASE PAN,EB,CHAMP	S1-07348980001	1
3	705	S1-01505253004	COMPR,SCROLL,208/230-3-60,R-410A,POE	S1-01505253004	1
3	706	S1-02810581000	ISOLATOR,COMPRESSOR,NEOPRENE	S1-02810581000	4
3	708	S1-02553178000	HARNESS,COMPRESSOR W/PLUG	S1-02553178000	1
3	730	S1-02817125000	DAMPENER,RUBBER,DISCHARGE LINE	S1-02817125000	1
3	900	S1-37339413002	COIL,OD FORMED ASSEM,26 INCH,B-BASE	S1-37339413002	1
3	904	S1-02817075000	MOUNT,COIL,FOAM MOLDED,MC,CUT TO LENGTH	S1-02817069000	1
3	905	S1-02817063000	MOUNT,COIL,E	S1-02817063000	6

Suggested stocking items are shown with shaded item number.



**Section : ROOF ASSEM / OUTDOOR FAN AND MOTOR PARTS**

Section	Callout	Replacement Part #	Description	Original Part #	TCD2B36S31S
6	403	S1-02647769000	GUARD,FAN,BLACK,22 INCH (B)	S1-02647769000	1
6	404	S1-07339395004	TOP,CHAMPAGNE,B-BASE	S1-07339395004	1
6	603	S1-36390117700	NUT,ACORN KIT #8-32 UNC	S1-36390117700	4
6	604	S1-02818868000	WIREWAY,B CABINET	S1-02818868000	1
6	605	S1-02436240000	MTR,COND,1/4,850,CWLE,208/230V	S1-02436240000	1
6	606	S1-02634593000	FAN,PROP,22",CW,3-30,1/2"BORE	S1-02634593000	1

Suggested stocking items are shown with shaded item number.

## Section : MISCELLANEOUS

Section	Callout	Replacement Part #	Description	Original Part #	TCD2B36S31S
8	NS	6059295	Screw Shoulder Hex-w 5/16 UNF L=1-1/2in	6059295	4
8	NS	S1-02527642000	CABLE STRAP,BLACK	S1-02509607000	2
8	NS	S1-02816476001	BADGING,YORK,OD,ML (M24)	S1-02816476001	1
8	NS	S1-02816478000	BADGING,LUXAIRE,OD,ML (M24)	S1-02816478000	1
8	NS	S1-02816479000	BADGING,FRASER-JOHNSTON,OD,ML (M24)	S1-02816479000	1
8	NS	S1-02816480000	BADGING,GUARDIAN,OD,ML (M24)	S1-02816480000	1
8	NS	S1-02816481000	BADGING,EVCON,OD,ML (M24)	S1-02816481000	1
8	NS	S1-02817574000	BADGE,CHAMPION,OD,RECESSED MAIN (M24)	S1-02817109000	1
8	NS	S1-02818412000	BADGING,COLEMAN,OD,ML (M24)	S1-02818412000	1
8	NS	S1-6109460	FILTER-DRIER,LIQUID,3/8 ODF,DCL 053S	S1-6109460	1
8	526	S1-02118396000	SCREW,AB,#10 X 3/8 INCH,BLACK (M25)	S1-02118396000	50
8	526	S1-02118397000	SCREW,AB,#10 X 3/4",BLACK (M25)	S1-02118397000	8

Suggested stocking items are shown with shaded item number.

## Section : WIRING DIAGRAMS / VFD PARAMETERS

Section	Callout	Replacement Part #	Description	Original Part #	TCD2B36S31S
9	9	6074819	WIRING DIAGRAM - 5.5 X 8.5	6074819	1

Suggested stocking items are shown with shaded item number.

## Section : HARNESES

Section	Callout	Replacement Part #	Description	Original Part #	TCD2B36S31S
10	10	S1-02552092000	HARNESS,WIRE,AC	S1-02552092000	1

Suggested stocking items are shown with shaded item number.



Model series repair parts lists are generated for each model number from the last production bill of material.

Major components and suggested stocking items are shown with shaded item number.

Repair parts lists are subject to change without notice.

TO ORDER AUTHORIZED FACTORY REPLACEMENT PARTS - Contact your Source1 HVAC Parts Distributor or visit our website at [www.Source1Parts.com](http://www.Source1Parts.com) for a Distributor and Dealer listing.

Copyright © 2024 by Johnson Controls Inc. All rights reserved.

Johnson Controls Unitary Products